

Technical Manual

800 Array Project Array™ Series



ACOUSTIC & ELECTRICAL SPECIFICATIONS:

- Nominal Impedance 8 Ohms
- Max Amp Power 200 Watts*
- Frequency Response 55Hz - 40kHz
- Sensitivity 88dB (2.83V @ 1 meter)
- Crossover Frequency 1000Hz, 8kHz

SYSTEM COMPONENTS:

- Grille 354496-001
- Low-Frequency Transducer 8" (203mm) Polymer-treated pulp Cone (361254-001)
 - DC Resistance 4.9 Ohms ±10%
- High-Frequency Transducer 175Nd-3 1-3/4" (44mm) Aquaplas-treated aluminum-dome (361028-001)
 - DC Resistance 3.7 Ohms ±10%
- Ultra High-Frequency Transducer 045Ti 1" (25mm) Pure Titanium (361016-001)
 - DC Resistance 3.1 Ohms ±10%
- Crossover Network (HF) 360911-001
- Crossover Network (LF) 360911-002

AURAL SWEEP TEST SPECIFICATIONS:

- System Aural Sweep Test 6.0V input 55Hz to 20kHz
- L.F. Aural Sweep Test 5.0V input 55Hz to 1kHz
- M.F. Aural Sweep Test 1.00V input 1kHz to 8kHz
- H.F. Aural Sweep Test 1.00V input 8kHz to 20kHz

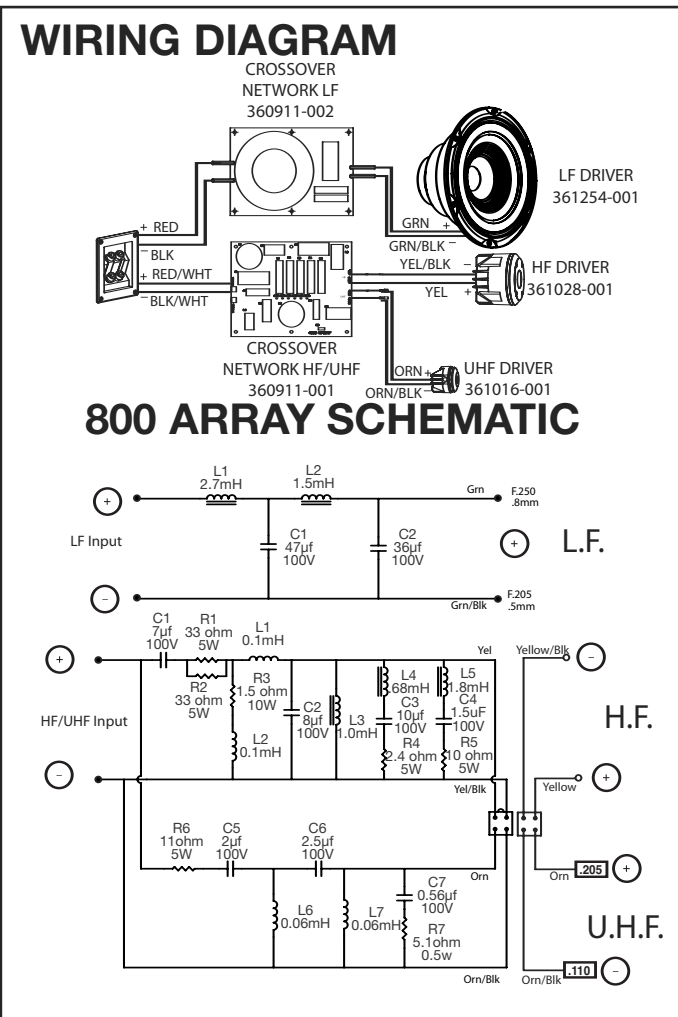
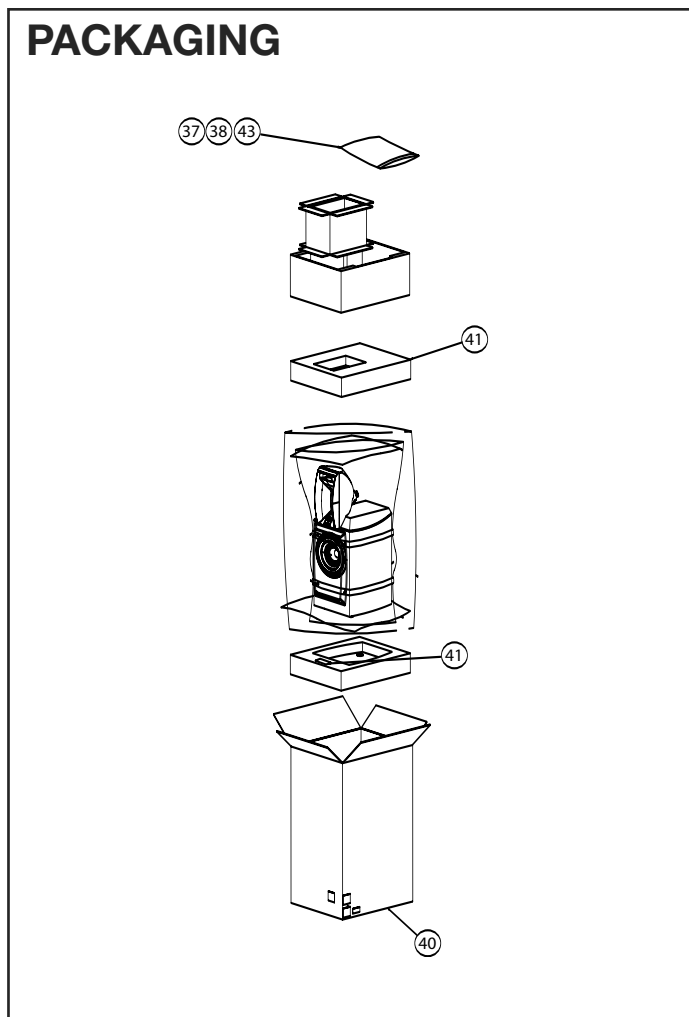
PHYSICAL SPECIFICATIONS:

- Dimensions With Grille: 29-1/4" x 10-3/4" x 14" (H x W x D) (743mm x 273mm x 356mm)
- Weight 40 lb (18kg) Each

WARRANTY:

- Refer to Warranty Statement packed with each product.

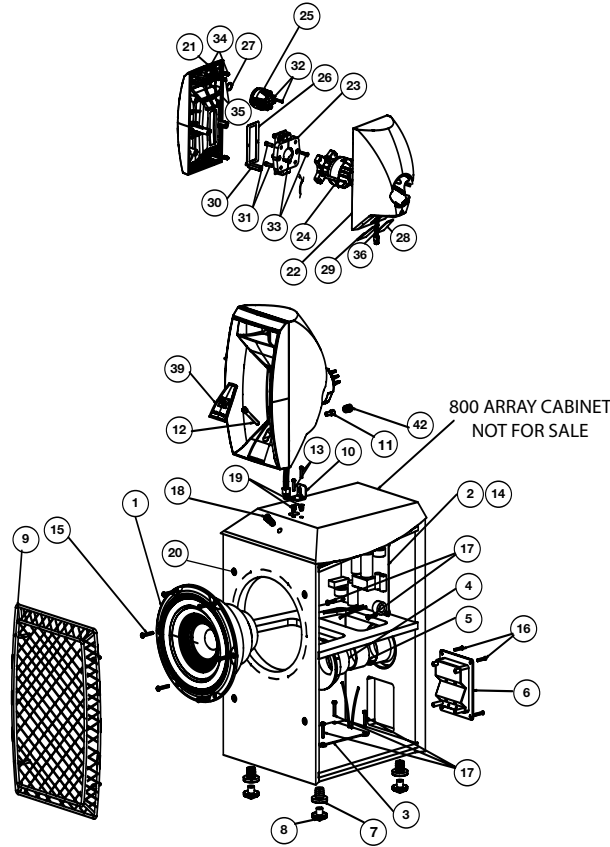
* The maximum recommended amplifier power rating will ensure proper system headroom to allow for occasional peaks. We do not recommend sustained operation at these maximum power levels.



800 Array Project Array™ Series



EXPLODED VIEW



ITEM NO.	PART NO.	DESCRIPTION	QTY.	ITEM NO.	PART NO.	DESCRIPTION	QTY.
1	361254-001	WOOFER ASS'Y 8"	1	21	355101-002	HORN,FRNT,800 ARRAY	1
2	360911-001	ASY,XOVER NETWORK, HF-800 ARRAY	1	22	355103-002	HORN,REAR,ENCLOSURE-800 ARRAY	1
3	360911-002	ASY,XOVER NETWORK, LF-800 ARRAY	1	23	355102-002	HORN,REAR, -800 ARRAY	1
4	360804-001	PORT TUBE FLANGE	1	24	361028-001	ASY,HF DRIVER-175ND-3	1
5	47909-44	PORT TUBE BODY, CARDBOARD	1	25	361016-001	TWEETER,UHF-045T1-1	1
6	351441-002	CUP, TERMINAL-ARRAY	1	26	355104-001	HORN GASKET	1
7	340805-004	FOOT INSERT	4	27	339976-001	GSKT,UHF-800 ARRAY	1
8	340805-005	SPIKE FOOT, BLK.	4	28	361109-001	GSKT,ENCLOSURE BASE-RIGHT	1
9	354496-001	FRONT GRILLE, CAB-800 ARRAY	1	29	361109-002	GSKT,ENCLOSURE BASE-LEFT	1
10	355105-001	HORN ARRAY BRACKET	1	30	361130-001	STANDOFF, HEX 1/4X20, 1.625"	1
11	806-73014-06	SCREW, HORN ARRAY 1/4 X 20 X 3/8" HEX, BLK ZINC	1	31	854-00000-12	BOLT,1/4-20 X 3/4,HEX,TAP,CLR ZC, LCS MIDRNG	4
12	875-33011-20	SCREW,HORN ARRAY 1/4 X 20 X 1.5" HEX BLK ZINC	1	32	802-93056-06	SCREW, 6-32 X 3/8,BTN,HEX,NO FIN SS UHFTWEETER	2
13	803-41010-12	SCREW, HORN ARRAY BRACKET 8-32 X 3/4", PAN, PH, BLK ZINC	2	33	804-41110-12	SCREW, 10-32 X 3/4", PAN, PH, BLK ZINC HORN/TWEETER	2
14	882-41110-10	SCREW, HF NTWRK BOARD, 6 X 5/8, PAN 2 PH, BLK ZINC	2	34	337538-001	GRILLE CUPS, PERFORMA	6
15	883-41110-16	SCREW, WOOFER, #8 X 1", PAN, PH, PB, BLK ZINC	6	35	338536-001	GSKT,WSHR,..312ODX.156ID- UHF EARS	2
16	882-51110-12	SCREW, TERM CUP, 6 X 3/4,OV,PH, PTCL,BLK ZC,LCS	4	36	360909-003	NETWORK WIRE W/PLUG	1
17	883-41110-12	SCREW, NETWORK, 8 X 3/4,PAN,PH, PB,BLK ZINC,LCS	8	37	361041-001	OWNER'S MANUAL, ARRAY	1
18	350235-001	INSERT, 1/4 X 20, HEX	1	38	331994-001	WARRANTY, 5 YEAR,JBL	1
19	8161207-001	INSERT, 8-32 X 4MM, HXS	2	39	360811-001	JBL LOGO ARRAY	1
20	333249-001	GRILLE CUPS	4	40	361370-001	OUTER CARTON-800 ARRAY	1
				41	354306-001	FOAM END PADS	2
				42	335352-002	BAFFLE PLUG, RUBBER	1
				43	340805-006	METAL COASTERS, BLK	4

800 Array Project Array™ Series